

Product labeling



Pic. 1 – Position of label 1 on the housing of LL 300

Label on the product:

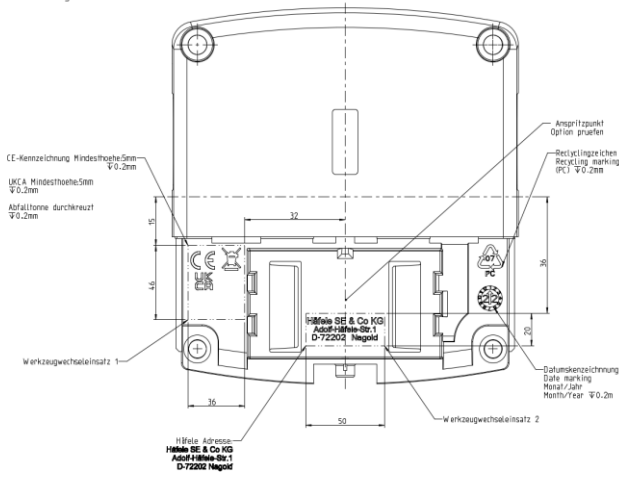
Product type + S/N + Certifications (1 Label)

- HÄFELE + address
- Name of product
- FCC ID
- IC ID (ISED)
- PMN (ISED)
- HVIN (ISED)
- HW version = SSSS, FW version = VVVVV
- S/N (Variable) per text + DMC
- Date Code (Variable)



Label 1 (example)

Produktkennzeichnung nach 3D-Modell



Pic. 2 – Labeling inside of LL 300 housing

Label inside of LL 300 on the housing:

- Häfele address
- CE marking (minimum height: 5 mm)
- UKCA marking (minimum height: 5 mm)
- WEEE symbol (minimum height: 5 mm)
- Material + Recycling sign
- Date stamp