



**Instrument Specialties Company, Inc. — World Compliance Center**

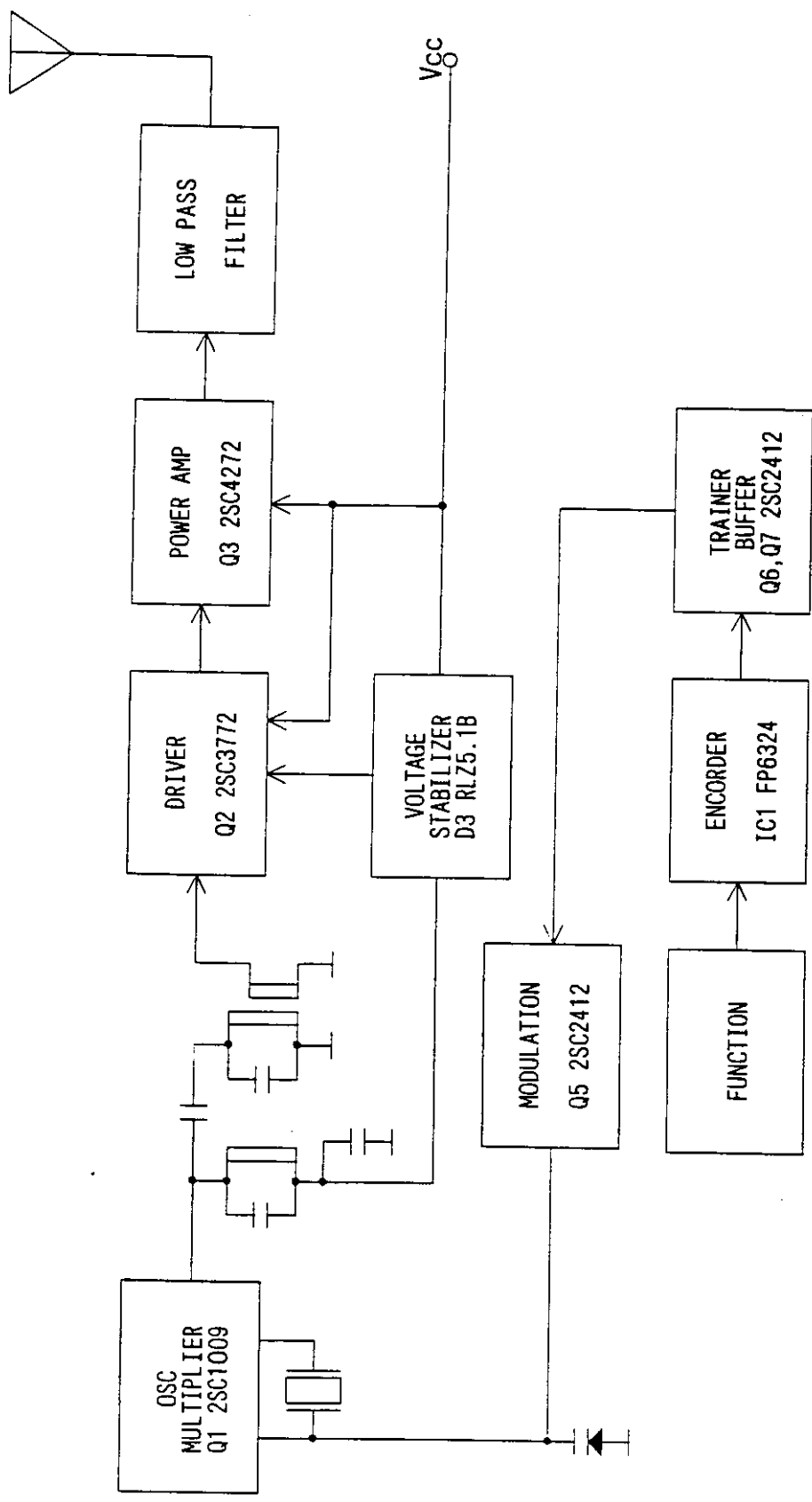
## EXHIBIT B

### **Schematic Drawings**

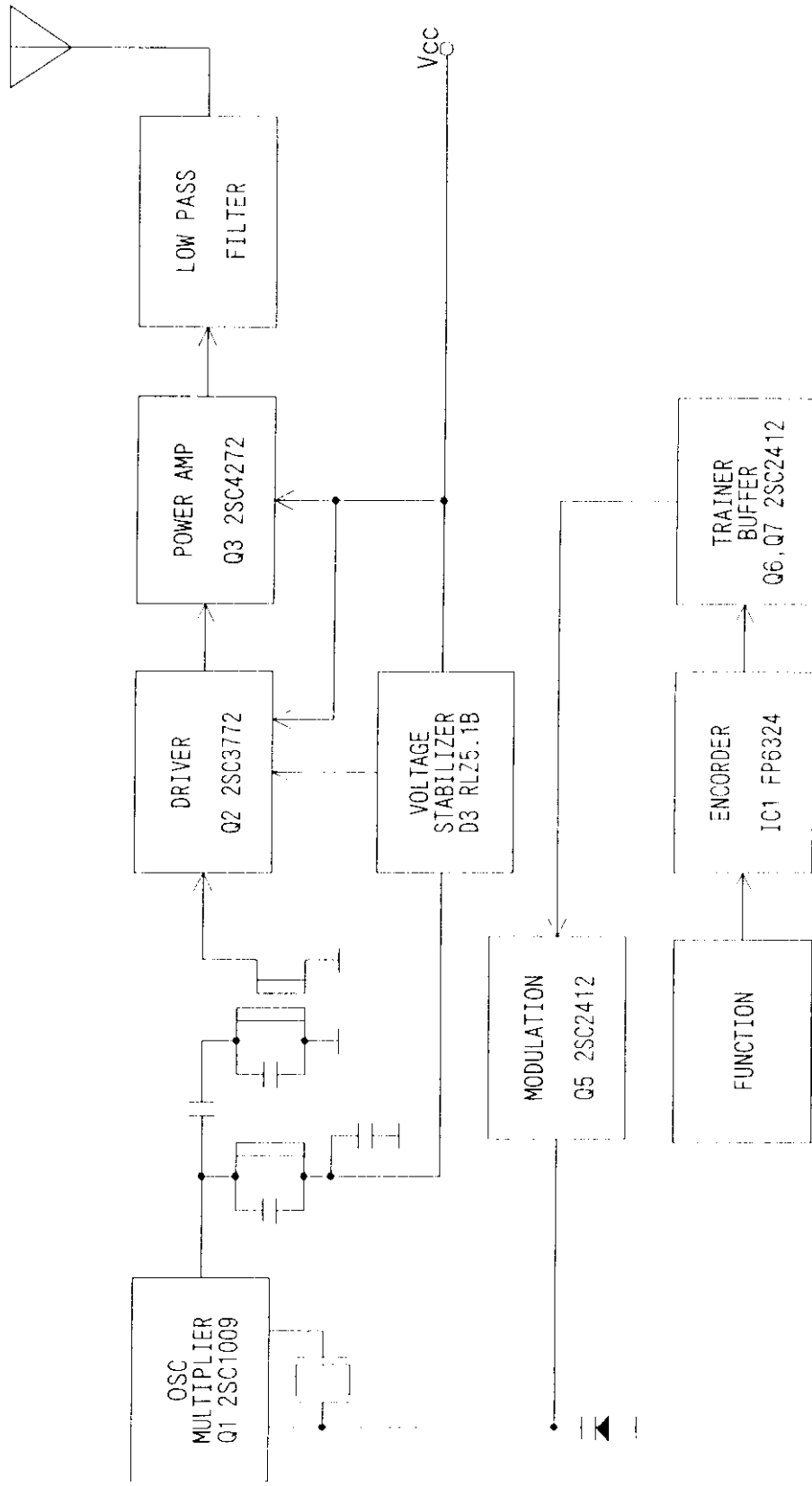
FUTABA CORPORATION OF AMERICA

Model: T6YF

FCC ID: AZPT6YF-72



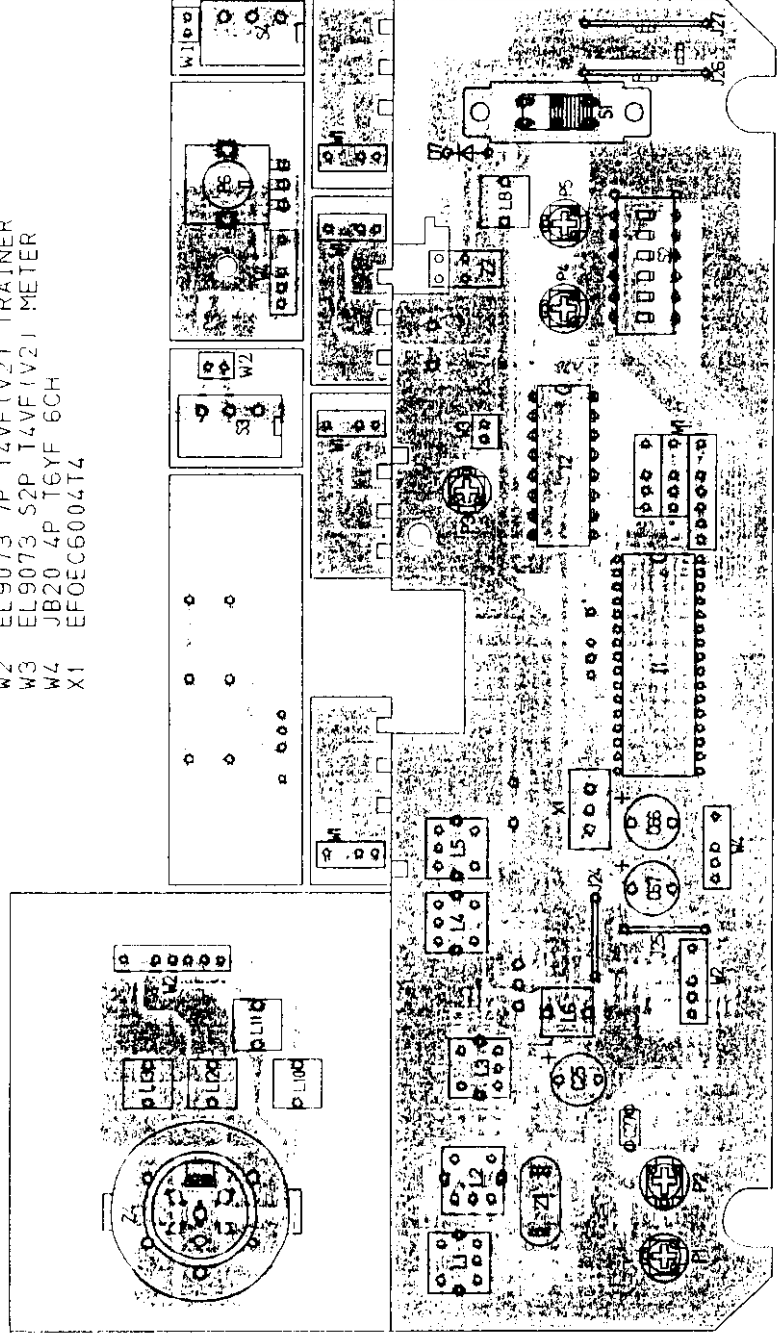
P. C. B. TA12 T6YF FM72MHz BLOCK DIAGRAM



P.C.B. TA12 T6YF FM75MHz BLOCK DIAGRAM



A		B		C		D		E		F		G	
SYMBOL	NO	7-1		DATE		CHARGE		APPLICATION		DATE		SYMBOL	
C25	SM47-16-TP	L1	M7-D3-216	P1	H0651A 4.7KB ST	Z1	S-D0105	△		△		△	
C27	EQ-B1H222J	L2	M7-D3-216	P2	H0651A 1KB ST	Z2	5129-2A	△		△		△	
C66	SM47-16-TP	L3	M7-D3-216	P3	H0651A 4.7KB ST	Z4	D6-733N-11	△		△		△	
C67	SM47-16-TP	L4	M7-D3-005	P4	EVN5AP00B14 ST			△		△		△	
D7	1SR-139	L5	M7-D3-005	P5	EVN5AP00B14 ST			△		△		△	
I1	FP-6324	L6	EL0606RA-2R7K	P6	RV093N20NKPT 10KB			△		△		△	
I2	BU4051BC	L8	EL0606RA-2R7K	S1	S5043WA022BAG-PB11			△		△		△	
J24	JPW 10mm	L10	EL0606RA-2R7K	S2	DS-06G-01-BL			△		△		△	
J25	JPW 10mm	L11	EL0606RA-2R7K	S3	ML-1GFSP			△		△		△	
J26	JPW 15mm	L12	EL0606RA-2R7K	S4	ML-1AFSP			△		△		△	
J27	JPW 15mm	L13	EL0606RA-2R7K	W1	JB20 T6YF 1-5CH			△		△		△	
				W2	EL9073 7P T4VF(V2) TRAINER			△		△		△	
				W3	EL9073 52P T4VF(V2) METER			△		△		△	
				W4	JB20 4P T6YF 6CH			△		△		△	
				X1	EFOEC6004T4			△		△		△	



Parts Side

名称 NAME	T6YF(72,75M)		基板名 PCB	TA12	
設計 DESIGN	製図 DRAWN	検閲 CHECKED	承認 APPROVED	図番 DWG-NO	10H-980034
				シート SHEET	OF
日付 DATE	1998.03.31		双葉電子工業株式会社		

