

2011-02-11 14:46:36 CR5000 828-3777-001 C hwcarter

NOTES:

1. "T" DESIGNATES CIRCUIT CARD ASSEMBLY TOP SURFACE.
2. REFERENCE DESIGNATORS USED IN LIEU OF ITEM NUMBERS.
3. PARENTHETICAL INFORMATION IS FOR REFERENCE ONLY.
4. BALLOON IDENTIFICATION DENOTES: ITEM NUMBER - QUANTITY.
5. UNLESS OTHERWISE SPECIFIED, ASSEMBLY SHALL BE IN ACCORDANCE WITH ITEM 4. ADDITIONAL MODIFICATIONS SHALL BE IN ACCORDANCE WITH ITEM 235.
6. Z MAX DIMENSION, EXCLUDING CONNECTORS, PIN FIELDS, AND MECHANICAL HARDWARE:
 - Z TOP SHALL BE .413
 - Z BOTTOM SHALL BE .254
 - MAXIMUM LEAD PROTRUSION SHALL BE .090
7. APPLY IDENTIFICATION MARKING IN APPROXIMATE LOCATION SHOWN, IN ACCORDANCE WITH ITEM 5, TYPE 2, CLASS II.
8. CAUTION: THIS ASSEMBLY CONTAINS ELECTROSTATIC DISCHARGE SENSITIVE DEVICES, AND/OR ASSEMBLIES IDENTIFIED AS CLASS 1 IN ACCORDANCE WITH MIL-STD-1686. HANDLE IN ACCORDANCE WITH ITEM 3. ESD SYMBOL APPLIED BY PRINTED WIRING BOARD FABRICATION PROCESS.
9. THIS CIRCUIT CARD ASSEMBLY WILL BE TESTED AT A HIGHER LEVEL.
10. CONFORMAL COAT ASSEMBLY USING ITEM 8 IN ACCORDANCE WITH ITEM 6. HATCHED AREAS INDICATED SHALL BE FREE OF CONFORMAL COATING, AND SHALL APPROXIMATE SOLDER MASK CLEARANCE ON FAB BOARD.
11. ITEM 7 MAY BE UTILIZED ON THIS ASSEMBLY.
12. DIMENSIONING AND TOLERANCING SHALL BE INTERPRETED IN ACCORDANCE WITH ASME Y14.5M-1994. DIMENSIONS AND TOLERANCES ARE IN INCHES.
13. ABBREVIATIONS AND ACRONYMS NOT IN ACCORDANCE WITH ASME Y14.38:
 - VERY HIGH FREQUENCY RADIO (VHF)
14. THE BODY OF ITEMS 39, 41 AND 42 SHALL BE SOLDERED TO ITEM 1.
15. ALL E OR TP DESIGNATORS ARE SHOWN FOR REFERENCE ONLY.
16. DOT POINTS TO PIN 3 OF ITEM 130.
17. SOLDER ITEMS 55 ON BOTTOM SIDE ONLY. DO NOT TRIM LEADS. VISUALLY INSPECT CENTER LEAD AND ASSOCIATED SOLDER JOINT TO VERIFY CENTER CONDUCTOR IS NOT TOUCHING OTHER AREAS OF THE CONNECTOR OR OTHER NEARBY CIRCUITRY.
18. TRIM LEADS OF ITEMS 216 AND 217 AS SHOWN IN DETAILS J, K, L, AND M.
19. ORIENT ITEMS 218 APPROXIMATELY AS SHOWN PRIOR TO SOLDERING AND RESHAPE ITEMS 218 AS NECESSARY TO MINIMIZE DISTANCE BETWEEN ITEMS 218 AND SOLDER PADS.
20. APPLY A THIN LAYER OF ITEM 219 IN ACCORDANCE WITH ITEM 224 TO BOTTOM SIDE OF ITEMS 216 AND 217. MOUNT ITEMS 216 AND 217 TO ITEM 220 PRIOR TO SOLDERING TO LEADS OF ITEMS 218 AND THE PWB PADS. TIGHTEN SCREWS MOUNTING ITEMS 216 AND 217 ALTERNATELY IN ACCORDANCE WITH DEVICE TO FINGER TIGHT. CONTINUE TIGHTENING ALTERNATELY TO 2.5 IN-LBS. OF TORQUE.
21. PRIOR TO MOUNTING ITEM 216 AND 217 LEADS MUST BE TINNED TOP AND BOTTOM. FILL ENTIRE GAP BETWEEN LEAD AND PAD WITH SOLDER. LEADS TO REMAIN AS PARALLEL TO THE PAD AS POSSIBLE.
22. ITEMS 216 AND 217 LEADS MAY EXCEED HEIGHT OFF PAD REQUIREMENT OF TWO TIMES THE LEAD THICKNESS, WITH A MAXIMUM OF FOUR TIMES THE LEAD THICKNESS PERMISSIBLE. LEADS DO NOT HAVE TO BE DISCERNIBLE AFTER SOLDER PROCESS.
23. BOND ITEM 155 TO ITEM 1 USING ITEM 226 IN ACCORDANCE WITH ITEM 227.
24. ALIGN ITEMS 1 AND 220 USING ALIGNMENT FIXTURE 135-3605-584 PRIOR TO INSTALLATION OF ITEMS 216 AND 217.
25. INSTALL L12, FROM E3 TO GROUND APPROXIMATELY AS SHOWN.
26. ON BOTTOM SIDE, REMOVE THE TRACES FROM J2-1 TO R66-T.
27. ON BOTTOM SIDE, REMOVE THE TRACES FROM J3-1 TO R67-R.
28. ON TOP SIDE, REMOVE THE TRACES FROM J2-1 TO C7-T.
29. ON TOP SIDE, REMOVE THE TRACES FROM J3-1 TO C5-R.
30. DRILL A .075 DIA HOLE, FILL WITH APPROVED EPOXY AND REDRILL TO .055 DIA HOLE AT CIRCUIT LAYER CUT LOCATIONS B AND D.
31. MODIFICATION WIRES 1 AND 2 ARE ROUTED FROM BOARD TOP SURFACE, THRU INDICATED HOLE AND TERMINATED ON BOARD BOTTOM SURFACE.
32. EXTEND BOTTOM PAD OF C5 AND C6 AND RIGHT PAD OF C7 INWARD USING ITEM 233. BOND ITEM 233 TO BOARD USING ITEM 234 IN ACCORDANCE WITH ITEM 234 INSTRUCTIONS.
33. EXCEPTION FROM ROCKWELL COLLINS WORKMANSHIP STANDARDS IS NECESSARY FOR INSTALLING FOLLOWING:
 - A. BOND ITEM 239 TO ITEM 135 WHERE SHOWN, USING ITEM 234 IN ACCORDANCE WITH ITEM 234 INSTRUCTIONS.
 - B. INSTALL ITEM 238 TO ITEM 239.
 - C. FILL HOLES OF ITEM 232 WITH SOLDER LEAVING THE CENTER HOLE EMPTY.
 - D. DRILL A .136 DIA HOLE AT CIRCUIT LAYER CUT LOCATIONS A AND C.
 - E. INSTALL ITEM 232 ON BOTTOM SIDE OF BOARD, TACK SOLDER THE NUT TO THE REMAINING SOLDER THATS IN HOLES SURROUNDING ITEM 232.
 - F. USE THE FOLLOWING WORKMANSHIP ACCEPTANCE REQUIREMENTS:
 - a) ENSURE THE ADHESIVE EXTENDS A MINIMUM OF .010 AROUND THE OUTER EDGES OF ITEM 239.
 - b) MOUNT C1289 AND C1290 TO ITEM 239, SHALL CONFORM TO MODIFICATION STANDARDS PROCESS AND WORKMANSHIP REQUIREMENTS FOR ADDING PWB/PWA FEATURES
 - c) INSTALL MODIFICATION WIRES 5-8 SHALL CONFORM TO MODIFICATION STANDARDS IN TERMINATION OF WIRES TO POPULATED PADS.
 - d) HOLES INDICATED TO FILL WITH SOLDER WILL HAVE 100% FILLET.

REVISION HISTORY			
REV	DESCRIPTION	DATE	APPROVED
C	ECO-0281860	2011-02-06	B.A.

CAD MAINTAINED. CHANGES SHALL BE INCORPORATED BY THE DESIGN ACTIVITY

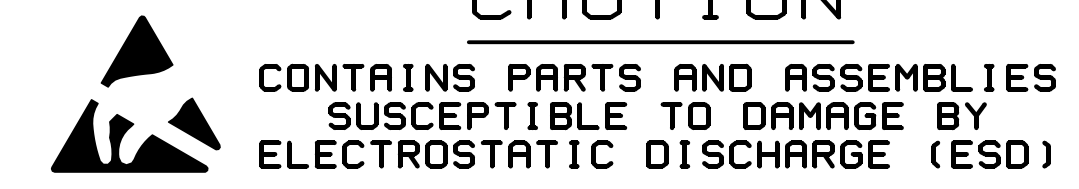
PARTS LIST CONTINUED ON THE FOLLOWING SHEET

QTY	ITEM NO	PART OR IDENTIFYING NO	NOMENCLATURE OR DESCRIPTION	DOCUMENT NO	CAGEC	NOTES	REF DESIGNATOR
2	34	351-0414-020	IC, LINEAR, VOLTAGE REGULATOR				U1202, 2011
4	33	351-0349-010	IC, LINEAR				U1027, 1710, 2005, 2006
2	32	278-0857-010	TRANSFORMER, RF				T1002, 2001
2	31	278-0499-010	TRANSFORMER				T1004, 2003
2	30	278-0441-160	TRANSFORMER, RF				T1501, 2002
4	29	277-0885-030	RF/MICROWAVE COUPLER				U1002, 1108, 2013, 2014
6	28	241-0996-040	SAW FILTER				FL1002-1004, 2001-2003
6	27	240-2939-160	INDUCTOR, 56nH				L1027, 1602, 1913, 2042-2044
4	26	240-2939-130	INDUCTOR, 33nH				L1048, 1049, 2037, 2038
4	25	240-2939-110	INDUCTOR, 22nH				L1044, 1045, 2027, 2028
2	24	240-2939-080	INDUCTOR, 82nH				L1707, 2047
2	23	240-2939-070	INDUCTOR, 68nH				L1909, 2046
2	22	240-2939-050	INDUCTOR, 47nH				L1601, 2041
4	21	240-2939-030	INDUCTOR, 33nH				L1008, 1906, 2036, 2049
6	20	240-2939-020	INDUCTOR, 27nH				L1003, 1005, 1007, 2031, 2048, 2050
6	19	240-2936-020	INDUCTOR, 2.2uH				L1-4, 1014, 2045
2	18	240-2933-250	INDUCTOR, 100uH				L1105, 2012
12	17	240-2933-130	INDUCTOR, 10uH				L1004, 1006, 1026, 1202, 1204, 1205, 2005-2010
2	16	240-2052-080	INDUCTOR, 28nH				L1915, 2025
2	15	240-2052-050	INDUCTOR, 18.5nH				L1002, 2019
4	14	240-2052-040	INDUCTOR, 12.5nH				L1001, 1903, 2017, 2018
2	13	240-2052-020	INDUCTOR, 5nH				L1916, 2011
4	12	207-0082-130	INDUCTOR, CHIP, 1uH				L1703, 1706, 2001, 2002
1	11	207-0082-070	INDUCTOR, CHIP, .33uH				L9
3	10	207-0082-030	INDUCTOR, CHIP, .15uH			25	L7, 8, 12
2	9	184-6344-260	CAPACITOR, FIXED, 15UF, 25V				C1144, 2143
AR	8	821-0650-020	INSULATING COMPOUND, ACRYLIC			10	
REF	7	580-6520-001	STANDARD ASSY PRACTICES			11	
REF	6	580-5458-001	CONFORMAL COATING, ACRYLIC-BASED, APPLIC			10	
REF	5	580-1497-001	PROCESS, MARKING IDENT			7	
REF	4	523-0778764	RC WORKMANSHIP STD MANUAL			5	
REF	3	489-0004-001	PROCEDURE, ESD			8	
REF	2	828-9177-001	SCHEMATIC DIAGRAM				
1	1	826-0008-676	PRINTED WIRING BOARD				

THE TECHNICAL DATA IN THIS DOCUMENT (OR FILE) IS CONTROLLED FOR EXPORT UNDER THE EXPORT ADMINISTRATION REGULATIONS (EAR), 15 CFR PARTS 730-774. VIOLATIONS OF THESE EXPORT LAWS MAY BE SUBJECT TO FINES AND PENALTIES UNDER THE EXPORT ADMINISTRATION ACT.

NOTICE: THE CONTENTS OF THIS DOCUMENT ARE PROPRIETARY TO ROCKWELL COLLINS, INC. AND SHALL NOT BE DISCLOSED, DISSEMINATED, COPIED, OR USED EXCEPT FOR PURPOSES EXPRESSLY AUTHORIZED IN WRITING BY ROCKWELL COLLINS, INC.

COPYRIGHT 2011 ROCKWELL COLLINS, INC. ALL RIGHTS RESERVED



CONTRACT NO		PREP S.RUTHERFORD 2008-12-18	
NEXT ASSY		CHK S.SOLYNTJES 2008-12-18	
USED ON		APVD B.AULAKH 2008-12-18	
APPLICATION		ALL SHEETS ARE THE SAME REVISION STATUS	
		THIRD ANGLE PROJECTION	

ROCKWELL COLLINS

CIRCUIT CARD ASSEMBLY
COM A/B RF

SIZE	CAGEC	DWG NO	REV
D	4V792	828-3777-001	C
SCALE	NONE	SHEET 1 OF 29	

2011-02-11 14:46:36 CR5000 828-3777-001 C hmcarter

PARTS LIST CONTINUED ON THE FOLLOWING SHEET

QTY	ITEM NO	PART OR IDENTIFYING NO	NOMENCLATURE OR DESCRIPTION	DOCUMENT NO	CAGEC	NOTES	REF DESIGNATOR
4	68	705-3216-140	RESISTOR, 20K OHMS				R71, 72, 1201, 2193
12	67	705-3215-260	RESISTOR, 100K OHMS				R1, 11-13, 1161, 1203, 1210, 1219, 2143-2145, 2232
84	66	705-3215-010	RESISTOR, 10K OHMS				R2-5, 1073, 1075, 1077, 1117, 1118, 1129-1134, 1149, 1150, 1155, 1158, 1167, 1169, 1186, 1187, 1189, 1193, 1202, 1207, 1211, 1227, 1239-1241, 1245-1251, 1255-1258, 1260, 2071-2073, 2080-2093, 2096-2118
38	65	705-3214-510	RESISTOR, 1000 OHMS				R14-17, 1074, 1123, 1137, 1138, 1141, 1142, 1146-1148, 1151, 1154, 1183, 1184, 1200, 1204, 1209, 1213, 2034-2050
2	64	705-3214-490	RESISTOR, 825 OHMS				R1217, 2135
2	63	705-3214-280	RESISTOR, 121 OHMS				R1067, 2120
6	62	705-3214-010	RESISTOR, 10 OHMS				R1069, 1082, 1083, 2021-2023
2	61	705-3204-450	RESISTOR, 1580 OHMS				R1076, 2181
4	60	705-2438-590	RESISTOR, 20K OHMS				R1096, 1206, 2065, 2066
2	59	705-2437-980	RESISTOR, 825 OHMS				R1126, 2020
4	58	705-2437-070	RESISTOR, 12.1 OHMS				R1103, 1104, 2218, 2219
106	57	705-2437-010	RESISTOR, 0 OHM				R18-42, 44, 46, 47, 51-61, 63, 65, 1233-1238, 1261-1266, 2154-2165, 2250-2255, 2257-2268, 2271-2277, 2279, 2281, 2282, 2286-2294, 2296, 2297, 2300, 2302
4	56	402-0528-010	ELECTROMECHANICAL RELAY				K3001-3004
1	55	357-7553-030	CONNECTOR, RECEPTACLE			17	J1
2	54	357-7207-390	CONNECTOR, ELECTRICAL				J1006, 2006
4	53	353-8136-060	SEMICONDUCTOR DEVICE, DIODE				CR1706, 1708, 2013, 2014
2	52	353-8136-050	SEMICONDUCTOR DEVICE, DIODE				CR1707, 2012
2	51	353-8136-040	SEMICONDUCTOR DEVICE, DIODE				CR1705, 2011
4	50	353-3866-010	SEMICON DVC, DIODE				CR3001-3004
8	49	352-9114-020	SEMICONDUCTOR DEVICE, TRANSISTOR				Q3, 4, 1022, 1103, 1701, 2006-2008
2	48	352-9114-010	SEMICONDUCTOR DEVICE, TRANSISTOR				Q1023, 2005
10	47	352-9113-010	SEMICONDUCTOR DEVICE, TRANSISTOR				Q1, 2, 1012, 1018, 2003, 2004, 3001-3004
2	46	352-3002-240	TRANSISTOR, FET GEN. PURPOSE SMALL SIG				Q1021, 2002
2	45	352-0838-010	SEMICON DVC, XSTR				Q1009, 2010
2	44	351-9603-470	IC, LINEAR				U1909, 2023
2	43	351-6801-010	ANALOG IC, POWER MANAGEMENT				U1023, 2001
4	42	351-6370-230	RF/MICROWAVE ATTENUATOR			14	U1005, 1006, 2024, 2025
2	41	351-6359-020	IC, RF/MMIC			14	U1026, 2028
4	40	351-6358-240	RF AMP, 2000MHZ				U1003, 1004, 2018, 2019
2	39	351-5439-010	IC, FREQUENCY SYNTHESIZER			14	U1105, 2015
2	38	351-3268-070	IC, INTERFACE, LVDS RECEIVER				U1205, 2040
24	37	351-3152-430	LOGIC IC, BUS DRIVER/TRANSCEIVER				U1206-1211, 1213-1217, 1910, 2041-2052
2	36	351-1392-180	ANALOG IC, OPERATIONAL AMPLIFIER				U1400, 2030
2	35	351-0902-010	RF AMP, MAR-3, MICRO-S, 2000MHZ				U1025, 2021

ROCKWELL COLLINS, INC.--PROPRIETARY INFORMATION
 COPYRIGHT 2011 ROCKWELL COLLINS, INC. ALL RIGHTS RESERVED

SIZE D	CAGEC 4V792	DWG NO 828-3777-001	REV C
SCALE NONE	SHEET 2		

2011-02-11 14:46:36 CR5000 828-3777-001 C hmcarter

PARTS LIST CONTINUED ON THE FOLLOWING SHEET

QTY	ITEM NO	PART OR IDENTIFYING NO	NOMENCLATURE OR DESCRIPTION	DOCUMENT NO	CAGEC	NOTES	REF DESIGNATOR
4	107	705-3554-680	RESISTOR, 4990 OHMS				R1125, 1220, 2005, 2006
4	106	705-3554-660	RESISTOR, 4750 OHMS				R1188, 1190, 2228, 2229
4	105	705-3554-640	RESISTOR, 4530 OHMS				R1228, 1268, 2236, 2238
2	104	705-3554-560	RESISTOR, 3740 OHMS				R1086, 2217
12	103	705-3554-510	RESISTOR, 3320 OHMS				R62, 68-70, 1080, 1088, 1093, 1098, 2166-2168, 2192
4	102	705-3554-470	RESISTOR, 3010 OHMS				R1229, 1267, 2235, 2237
2	101	705-3554-440	RESISTOR, 2800 OHMS				R1070, 2194
2	100	705-3554-350	RESISTOR, 2260 OHMS				R1081, 2196
8	99	705-3554-240	RESISTOR, 1740 OHMS				R1113, 1114, 1195, 1196, 2188-2191
4	98	705-3554-090	RESISTOR, 1210 OHMS				R1111, 1112, 2222, 2223
10	97	705-3554-010	RESISTOR, 1000 OHMS				R1068, 1181, 1182, 1191, 1192, 2094, 2095, 2140-2142
4	96	705-3553-770	RESISTOR, 619 OHMS				R1168, 1175, 2179, 2180
2	95	705-3553-680	RESISTOR, 499 OHMS				R1097, 2184
10	94	705-3553-660	RESISTOR, 475 OHMS				R1166, 1243, 1244, 1253, 1254, 2149-2153
4	93	705-3553-610	RESISTOR, 422 OHMS				R1090, 1092, 2122, 2123
4	92	705-3553-470	RESISTOR, 301 OHMS				R1084, 1095, 2146, 2147
8	91	705-3553-430	RESISTOR, 274 OHMS				R1105, 1106, 1135, 1136, 2129-2132
4	90	705-3553-340	RESISTOR, 221 OHMS				R1143, 1144, 2133, 2134
2	89	705-3553-300	RESISTOR, 200 OHMS				R1087, 2067
8	88	705-3553-170	RESISTOR, 147 OHMS				R1119, 1124, 1205, 1208, 2136-2139
2	87	705-3553-090	RESISTOR, 121 OHMS				R1121, 2148
26	86	705-3553-010	RESISTOR, 100 OHMS				R43, 45, 48-50, 64, 1071, 1078, 1079, 1109, 1110, 1197, 1198, 2055, 2056, 2061-2064, 2230, 2278, 2280, 2283-2285, 2301
4	85	705-3552-850	RESISTOR, 75 OHMS				R1120, 1122, 2069, 2070
10	84	705-3552-680	RESISTOR, 49.9 OHMS				R1072, 1085, 1162, 1163, 1174, 2124-2128
2	83	705-3552-580	RESISTOR, 39.2 OHMS				R1066, 2121
4	82	705-3552-550	RESISTOR, 36.5 OHMS				R1128, 1215, 2053, 2054
2	81	705-3552-430	RESISTOR, 27.4 OHMS				R1222, 2052
2	80	705-3552-380	RESISTOR, 24.3 OHMS				R1145, 2119
2	79	705-3552-240	RESISTOR, 17.4 OHMS				R1094, 2051
2	78	705-3552-090	RESISTOR, 12.1 OHMS				R1091, 2068
4	77	705-3551-970	RESISTOR, 0 OHMS				R1064, 1065, 2032, 2033
14	76	705-3543-010	RESISTOR, FIXED, 0 OHM, .0625W				R1100-1102, 1127, 1177, 1178, 1185, 2169-2172, 2175-2177
4	75	705-3535-690	RESISTOR, 432 OHMS				R1230, 1231, 2028, 2029
8	74	705-3540-100	RESISTOR, 100 OHMS				R1170-1173, 2211-2214
4	73	705-3539-810	RESISTOR, 49.9 OHMS				R1242, 1252, 2197, 2198
2	72	705-3539-200	RESISTOR, 11.5 OHMS				R1232, 2019
4	71	705-3539-430	RESISTOR, 20 OHMS				R1226, 1259, 2199, 2200
2	70	705-3535-550	RESISTOR, 301 OHMS				R1099, 2204
5	69	705-3535-060	RESISTOR, 100K OHMS			26, 27	R10, 66, 67, 1194, 2231

ROCKWELL COLLINS, INC.--PROPRIETARY INFORMATION
 COPYRIGHT 2011 ROCKWELL COLLINS, INC. ALL RIGHTS RESERVED

SIZE D	CAGEC 4V792	DWG NO 828-3777-001	REV C
SCALE NONE	SHEET 3		

2011-02-11 14:46:36 CR5000 828-3777-001 C hmcarter

PARTS LIST CONTINUED ON THE FOLLOWING SHEET

QTY	ITEM NO	PART OR IDENTIFYING NO	NOMENCLATURE OR DESCRIPTION	DOCUMENT NO	CAGEC	NOTES	REF DESIGNATOR
2	151	850-0006-020	MIXER, RADIO FREQUENCY				U1109, 2031
4	150	849-0028-170	INDUCTOR, 2.2UH				L1011, 1012, 2015, 2016
4	149	849-0028-130	INDUCTOR, 1UH				L1009, 1010, 2003, 2004
4	148	849-0025-120	INDUCTOR, 0.82UH				L1110, 1113, 2013, 2014
2	147	849-0025-090	INDUCTOR, 0.47UH				L1901, 2026
6	146	849-0006-340	INDUCTOR, 2.2UH				L1115, 1801, 1905, 2021-2023
4	145	849-0003-490	INDUCTOR, 0.056UH				L1032, 1111, 2039, 2040
4	144	849-0003-470	INDUCTOR, 0.039UH				L1106, 1107, 2033, 2034
2	143	849-0003-280	INDUCTOR, 0.82UH				L1019, 2032
12	142	844-0121-010	DIODE, SWITCHING				CR1018, 1106, 1107, 1902, 1903, 1942, 2005-2010
4	141	844-0078-020	DIODE, PIN				CR1711, 1712, 2001, 2002
4	140	844-0032-010	SEMICON DVC, DIODE				CR1001, 1944, 2015, 2016
4	139	844-0022-010	SEMICON DVC, DIODE				CR1501, 1502, 2003, 2004
4	138	843-0036-010	SEMICON DVC, XSTR				Q1104, 1900, 2011, 2012
2	136	835-0751-040	IC, LINEAR				U1001, 2007
2	135	835-0685-030	IC, LINEAR			33	U1708, 2029
2	134	835-0362-100	IC, RF/MMIC AMPLIFIER				U1805, 2022
2	133	835-0353-030	IC, LINEAR				U1021, 2012
2	132	835-0264-010	IC, LINEAR				U1706, 2035
2	131	835-0198-020	IC, LINEAR				U1707, 2017
2	130	835-0191-020	IC, RF/MMIC, AMPLIFIER			16	U1905, 2026
2	129	835-0046-060	IC, RF/MMIC AMPLIFIER				U1111, 2027
6	128	835-0041-010	IC, LINEAR				U1018, 1019, 1106, 2008-2010
4	127	834-5000-040	CAPACITOR, 1uF				C1287, 1339, 2033, 2277
4	126	834-2008-220	CAPACITOR, 15uF				C1132, 1133, 2318, 2319
2	125	833-6626-140	RESISTOR, 137 OHMS				R1108, 2027
2	124	833-6626-010	RESISTOR, 100 OHMS				R1199, 2009
2	123	833-6526-680	RESISTOR, 49.9 OHMS				R1089, 2018
2	122	833-6526-550	RESISTOR, 36.5 OHMS				R1107, 2002
2	121	833-6526-390	RESISTOR, 24.9 OHMS				R1221, 2017
4	120	833-6526-300	RESISTOR, 20 OHMS				R6-9
2	119	833-6014-230	RESISTOR, 82 OHMS				R1214, 2014
2	118	833-6014-010	RESISTOR, 10 OHMS				R1218, 2001
2	117	833-6009-130	RESISTOR, 200 OHMS				R1216, 2187
4	116	833-6009-030	RESISTOR, 470 OHMS				R1223, 1224, 2185, 2186
1	115	705-3648-010	RESISTOR, FIXED, 100 OHM, 60W, 5%				R3001
2	114	705-3570-020	RESISTOR, FIXED, .0056 OHM, 2W, 1%				R1225, 2201
2	113	705-3555-820	RESISTOR, 69.8K OHMS				R1164, 2013
4	112	705-3555-710	RESISTOR, 53.6K OHMS				R1176, 1212, 2007, 2008
2	111	705-3555-530	RESISTOR, 34.8K OHMS				R1165, 2012
4	110	705-3555-430	RESISTOR, 27.4K OHMS				R1152, 1153, 2010, 2011
4	109	705-3554-890	RESISTOR, 8250 OHMS				R1115, 1116, 2015, 2016
8	108	705-3554-850	RESISTOR, 7500 OHMS				R1139, 1140, 1156, 1157, 2224-2227

ROCKWELL COLLINS, INC.--PROPRIETARY INFORMATION
 COPYRIGHT 2011 ROCKWELL COLLINS, INC. ALL RIGHTS RESERVED

SIZE D	CAGEC 4V792	DWG NO 828-3777-001	REV C
SCALE NONE	SHEET 4		

2011-02-11 14:46:36 CR5000 828-3777-001 C hmcarter

PARTS LIST CONTINUED ON THE FOLLOWING SHEET

QTY	ITEM NO	PART OR IDENTIFYING NO	NOMENCLATURE OR DESCRIPTION	DOCUMENT NO	CAGEC	NOTES	REF DESIGNATOR
4	178	913-3066-050	CAPACITOR, 560pF				C1322, 1331, 2061, 2340
2	177	913-3064-040	CAPACITOR, FIXED, 680PF, 100V				C1307, 2287
2	176	913-3061-050	CAPACITOR, 2700pF				C1134, 2133
41	175	913-3060-080	CAPACITOR, 1000pF				C8-11, 114, 1145, 1147-1149, 1177, 1179, 1186, 1192, 1194-1196, 1198, 1208, 1209, 1228, 1232, 1254, 1255, 2144, 2146, 2147, 2176, 2178, 2185, 2192, 2194, 2208, 2209, 2228, 2244, 2245, 2320, 2323-2325, 2329
118	174	913-3059-290	CAPACITOR, 220pF				C60-65, 67-90, 92-107, 1002, 1299, 1301, 1341, 1342, 1344-1346, 1368, 1375-1378, 2001, 2025, 2027, 2029, 2036, 2042, 2044, 2046, 2052, 2054, 2056, 2058, 2059, 2063, 2069, 2071, 2075, 2077, 2079, 2081, 2083, 2085, 2087, 2089, 2091, 2095, 2097, 2099, 2101, 2103, 2105, 2107, 2109, 2111, 2113, 2117, 2121, 2123, 2125, 2195, 2196, 2198, 2199, 2279, 2281, 2308-2314, 2316, 2346, 2363, 2370-2373
36	173	913-3059-250	CAPACITOR, 100pF				C1135, 1138, 1142, 1197, 1343, 1362-1367, 1369-1374, 1381, 2128, 2130-2132, 2134, 2137, 2141, 2197, 2296, 2358, 2361, 2362, 2364-2369
4	172	913-3059-210	CAPACITOR, 47pF				C66, 91, 2040, 2093
8	171	913-3059-190	CAPACITOR, 33pF				C1180, 1181, 1189, 1190, 2179, 2180, 2189, 2190
2	170	913-3059-170	CAPACITOR, 22pF				C1185, 2184
4	169	913-3059-160	CAPACITOR, 18pF				C1210, 1211, 2210, 2211
4	168	913-3056-210	CAPACITOR, FIXED, 22uF				C1168, 1169, 2167, 2168
6	167	913-3056-160	CAPACITOR, 3.3uF				C1170-1172, 2169-2171
4	166	913-3056-110	CAPACITOR, 4.7uF				C1164, 1165, 2163, 2164
4	165	913-3056-020	CAPACITOR, 4.7uF				C1347, 1382, 2359, 2376
2	164	913-0866-680	CAPACITOR, FIXED, 0.0012UF, 2000V				C1273, 2263
30	163	913-0865-760	CAPACITOR, 470pF				C1225, 1230, 1284, 1288, 1308-1313, 1320, 1323, 1324, 1329, 1332, 2048, 2050, 2225, 2230, 2274, 2278, 2288-2293, 2338, 2341, 2343
2	162	913-0865-500	CAPACITOR, 0.01uF				C1325, 2011
4	161	913-0865-580	CAPACITOR, 0.047uF				C1265, 1272, 2255, 2262
4	160	913-0865-380	CAPACITOR, 1000pF				C1266, 1267, 2256, 2257
8	159	913-0865-310	CAPACITOR, 270pF				C1242-1245, 2232-2235
14	158	913-0865-140	CAPACITOR, 10pF				C1155-1158, 1182, 1184, 1187, 2154-2157, 2181, 2183, 2186
2	157	913-0864-090	CAPACITOR, 10pF				C1285, 2275
4	156	852-3002-010	SURFACE MOUNT FERRITE BEAD				Z1001, 1002, 2001, 2002
1	155	852-0015-010	TRANSFORMER, RF			23	T3001
2	154	850-2002-010	IC, SPLITTER/COMBINER				U1110, 2002
2	153	850-1057-050	OSCILLATOR, VOLTAGE CONTROLLED				U1107, 2016
4	152	850-0037-030	IC, I & Q MODULATOR				U1800, 1803, 2003, 2004
PARTS LIST							

ROCKWELL COLLINS, INC.--PROPRIETARY INFORMATION
 COPYRIGHT 2011 ROCKWELL COLLINS, INC. ALL RIGHTS RESERVED

SIZE D	CAGEC 4V792	DWG NO 828-3777-001	REV C
SCALE NONE	SHEET 5		

2011-02-11 14:46:36 CR5000 828-3777-001 C hmcarter

PARTS LIST CONTINUED ON THE FOLLOWING SHEET

QTY	ITEM NO	PART OR IDENTIFYING NO	NOMENCLATURE OR DESCRIPTION	DOCUMENT NO	CAGEC	NOTES	REF DESIGNATOR
4	201	914-0679-330	CAPACITOR, 6.8pF				C1268, 1279, 2258, 2269
2	200	914-0679-290	CAPACITOR, 4.7pF				C1277, 2267
2	199	914-0679-240	CAPACITOR, 3pF				C1262, 2252
2	198	914-0678-600	CAPACITOR, 100pF				C1318, 2298
4	197	914-0678-560	CAPACITOR, 68pF				C1319, 1334, 2299, 2344
2	196	914-0678-460	CAPACITOR, 24pF				C1317, 2297
2	195	914-0678-450	CAPACITOR, 22pF				C1314, 2294
2	194	914-0678-410	CAPACITOR, 15pF				C1316, 2337
2	193	914-0678-270	CAPACITOR, 3.9pF				C1207, 2207
4	192	914-0677-410	CAPACITOR, 24pF				C1353, 1355, 2166, 2350
2	191	914-0677-400	CAPACITOR, 22pF				C1354, 2148
6	190	913-3667-940	CAPACITOR, 1uF				C1175, 1204, 1248, 2174, 2204, 2238
2	189	913-3239-200	CAPACITOR, FIXED, 6.8PF, 200V				C1205, 2205
2	188	913-3239-010	CAPACITOR, FIXED, 1PF, 200V				C1206, 2206
22	187	913-3220-010	CAPACITOR, FIXED, 10uF, 16V				C117, 118, 1166, 1167, 1173, 1174, 1176, 1200-1203, 1231, 2172, 2173, 2175, 2200-2203, 2231, 2321, 2322
2	186	913-3094-010	CAPACITOR, FIXED, 4.7uF, 50V				C1163, 2162
64	185	913-3087-350	CAPACITOR, FIXED 0.1uF, 16V				C1141, 1152, 1153, 1162, 1199, 1223, 1224, 1226, 1229, 1233, 1234, 1237, 1238, 1241, 1348-1350, 1356-1361, 1379, 1380, 1383-1389, 2140, 2151, 2152, 2161, 2223, 2224, 2300-2304, 2326-2328, 2330, 2331, 2333, 2334, 2336, 2347, 2351-2357, 2360, 2374, 2375, 2377, 2378
2	184	913-3084-660	CAPACITOR, FIXED, 6.8uF, 50V				C57, 2124
6	183	913-3078-030	CAPACITOR, 470pF				C1249, 1251, 1328, 2239, 2241, 2342
26	182	913-3067-150	CAPACITOR, 0.1uF				C1143, 1154, 1159-1161, 1253, 1260, 1263, 1300, 1302-1304, 1327, 2142, 2153, 2158-2160, 2165, 2243, 2250, 2253, 2280, 2282-2284
50	181	913-3066-180	CAPACITOR, 0.01uF				C115, 116, 1146, 1150, 1151, 1183, 1191, 1193, 1212, 1213, 1220-1222, 1235, 1236, 1239, 1240, 1246, 1250, 1256, 1257, 1261, 1282, 1286, 1321, 1340, 2115, 2145, 2149, 2150, 2182, 2191, 2193, 2212, 2213, 2220-2222, 2226, 2229, 2236, 2240, 2246, 2247, 2251, 2272, 2276, 2332, 2335, 2339
92	180	913-3066-130	CAPACITOR, 2700pF				C12-17, 19-42, 44-56, 58, 59, 1188, 2026, 2028, 2030, 2032, 2034, 2035, 2041, 2043, 2045, 2047, 2049, 2051, 2053, 2055, 2057, 2060, 2062, 2064, 2070, 2072, 2074, 2076, 2078, 2080, 2082, 2084, 2086, 2088, 2090, 2092, 2096, 2098, 2100, 2102, 2104, 2106, 2108, 2110, 2112, 2114, 2116, 2118, 2122, 2126, 2127, 2187
24	179	913-3066-080	CAPACITOR, 1000pF				C1-4, 110-113, 1178, 1214-1219, 1227, 2177, 2214-2219, 2227
PARTS LIST							

ROCKWELL COLLINS, INC.--PROPRIETARY INFORMATION
 COPYRIGHT 2011 ROCKWELL COLLINS, INC. ALL RIGHTS RESERVED

SIZE D	CAGEC 4V792	DWG NO 828-3777-001	REV C
SCALE NONE	SHEET 6		

2011-02-11 14:46:37 CR5000 828-3777-001 C hmcarter

QTY	ITEM NO	PART OR IDENTIFYING NO	NOMENCLATURE OR DESCRIPTION	DOCUMENT NO	CAGEC	NOTES	REF DESIGNATOR
2	239	986-2488-001	CONTACT, ELECTRICAL			33	
2	238	913-0866-770	CAPACITOR, FIXED, 2.2UF, 25V			33	C1289, 1290
2	237	343-0138-000	SCREW, .112-40X.625				
2	236	330-0817-130	SCREW, PAN, 0.112-40, .312				
REF	235	523-0780737	RC MODIFICATION STD MANUAL			5	
AR	234	243-0045-010	ADHESIVE, EPOXY			32, 33	
AR	233	430-1045-040	RIBBON, COPPER, SILVER PLATED			32	
2	232	357-7553-010	CONNECTOR, RF, SSMB, JACK			26, 27, 28, 29, 33	J2, 3
1	231	914-0679-230	CAPACITOR, 2.7pF				C109
3	230	914-0679-550	CAPACITOR, 62pF			28, 29, 32	C5-7
1	229	646-4510-005	COIL ACCESSORY				L11
1	228	646-4510-004	COIL ACCESSORY				L10
REF	227	580-5205-010	ADHESIVE/SEALANT PROCEDURE			23	
AR	226	005-3167-010	ADHESIVE, RTV-3145			23	
1	225	983-9374-001	SHIELD, COM A/B RF				
REF	224	580-5643-001	PROCESS, HEATSINK COMPOUND			20	
2	223	372-0402-580	CONN, PCB, BOARD STACKING, HEADER 70 CON				P1001, 2001
2	222	343-0132-000	SCREW, .112-40X.187				
8	221	330-0803-780	SCREW, CAP ASSY, PAN HEAD, 0.086-56, .31				
1	220	983-9610-001	HEATSINK, RF			20, 24	
AR	219	005-1234-020	COMPOUND, HEATSINK SILICONE			20	
8	218	653-4080-001	LUG			19, 20	
2	217	352-9137-010	SEMICONV DEVICE, XSTR			18, 20, 21, 22, 24	01903, 2009
2	216	352-1302-330	SEMICONV DEVICE, XSTR			18, 20, 21, 22, 24	01906, 2001
4	215	933-0307-160	CAPACITOR, 0.033uF				C1136, 1137, 2135, 2136
6	214	914-3503-710	CAPACITOR, 470pF				C1264, 1274, 1336, 2254, 2264, 2345
2	213	914-3503-630	CAPACITOR, 180pF				C1337, 2073
2	212	914-3503-390	CAPACITOR, 33pF				C1258, 2248
2	211	914-3503-330	CAPACITOR, 18pF				C1252, 2242
3	210	914-0679-510	CAPACITOR, 39pF				C1338, 2022, 3003
2	208	914-0679-470	CAPACITOR, 27pF				C1275, 2265
2	207	914-0679-460	CAPACITOR, 24pF				C1276, 2266
4	205	914-0679-430	CAPACITOR, 18pF				C1270, 1271, 2260, 2261
3	204	914-0679-410	CAPACITOR, 15pF				C108, 1269, 2259
2	203	914-0679-390	CAPACITOR, 12pF				C1278, 2268
5	202	914-0679-350	CAPACITOR, 8.2pF				C1280, 1281, 2270, 2271, 3001

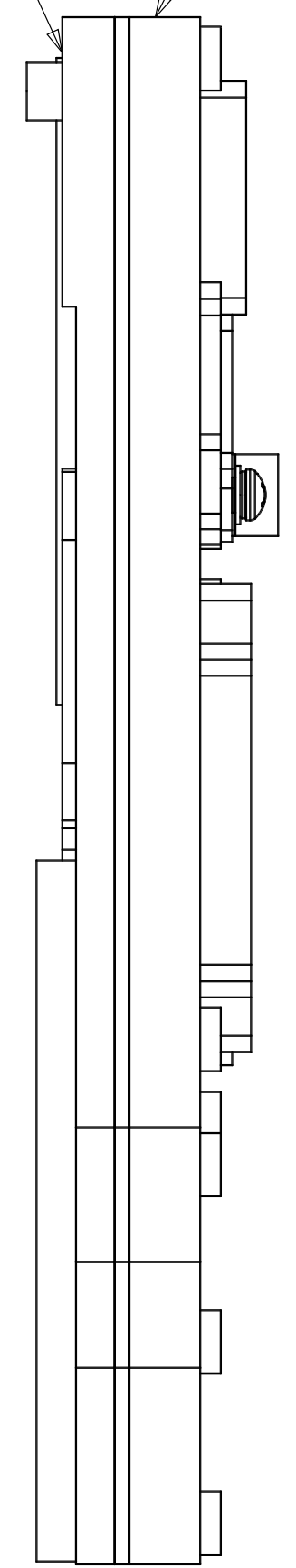
PARTS LIST

ROCKWELL COLLINS, INC.--PROPRIETARY INFORMATION
 COPYRIGHT 2011 ROCKWELL COLLINS, INC. ALL RIGHTS RESERVED

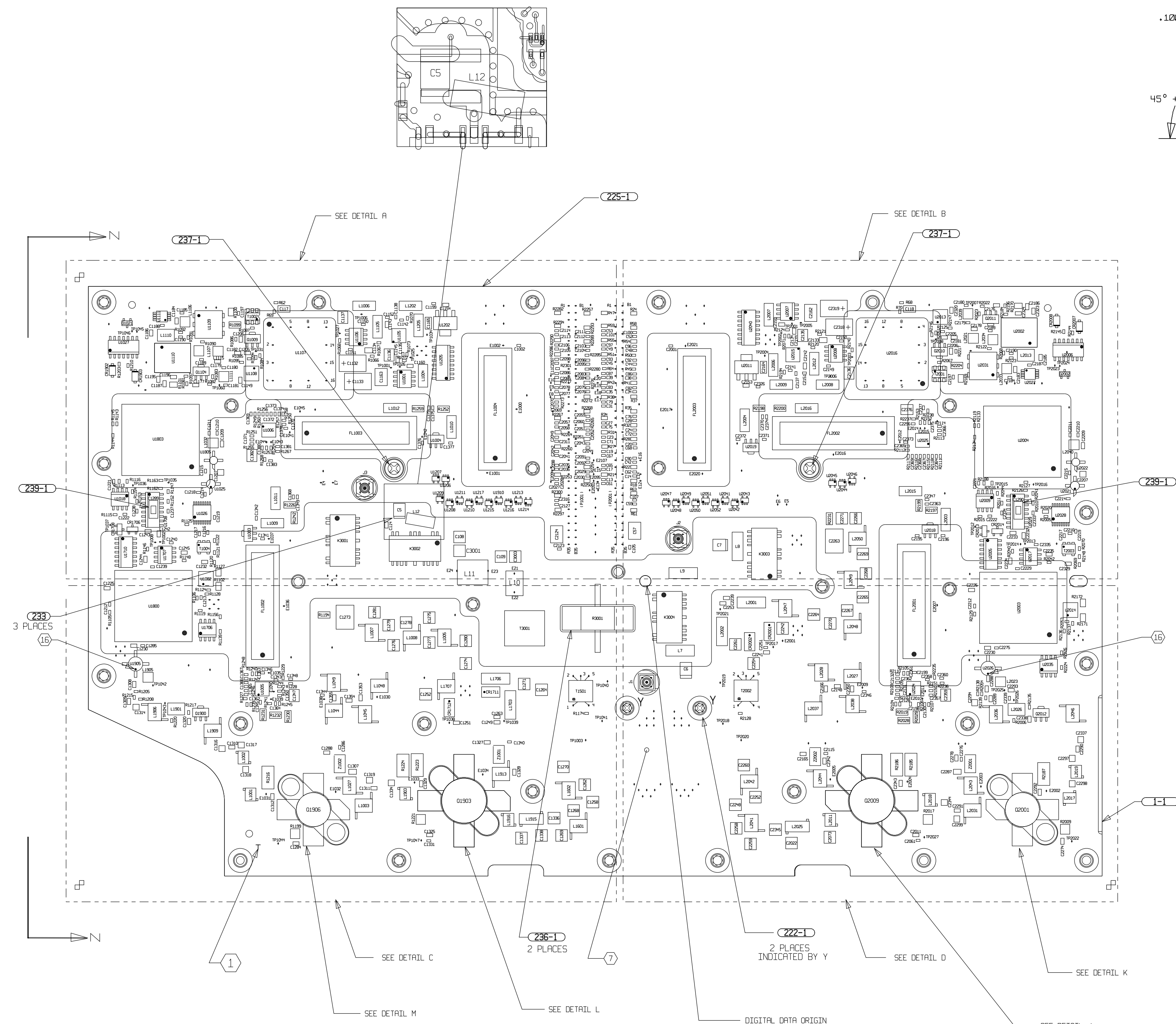
SIZE D	CAGEC 4V792	DWG NO 828-3777-001	REV C
SCALE NONE	SHEET 7		

2011-02-13 09:17:03 CR5000 828-3777-001 C hmcpar ter

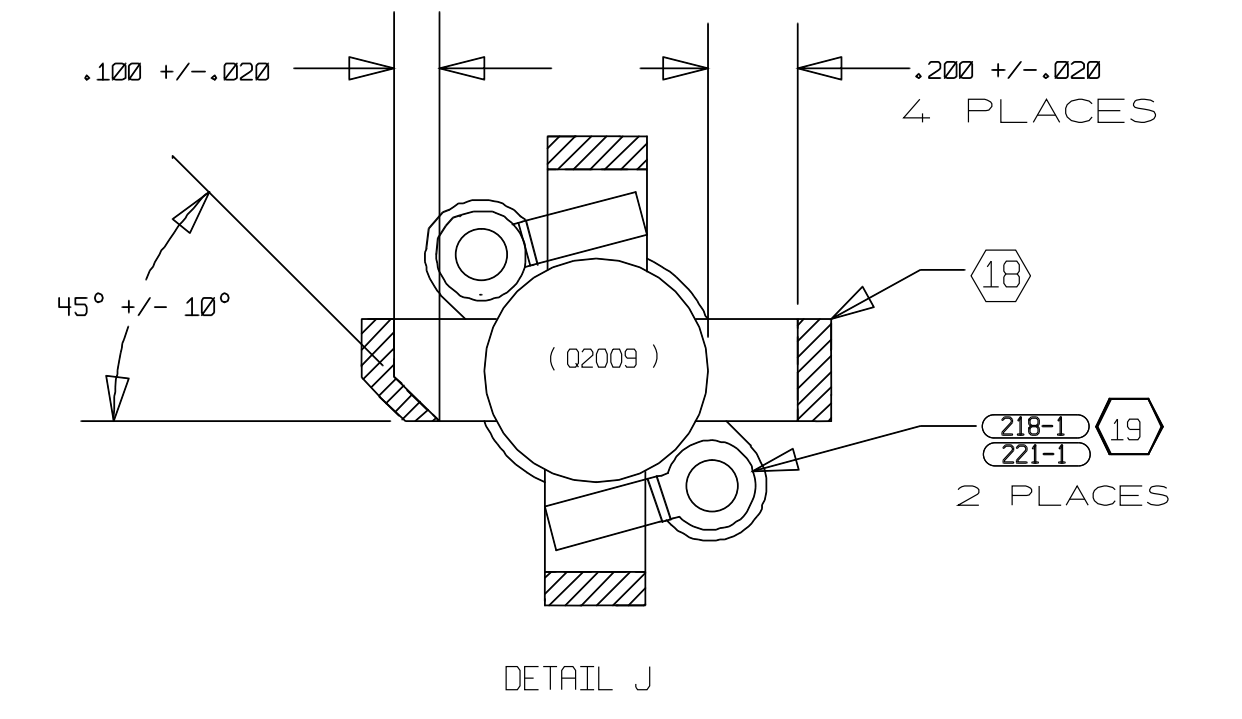
(ITEM 220) (ITEM 225)



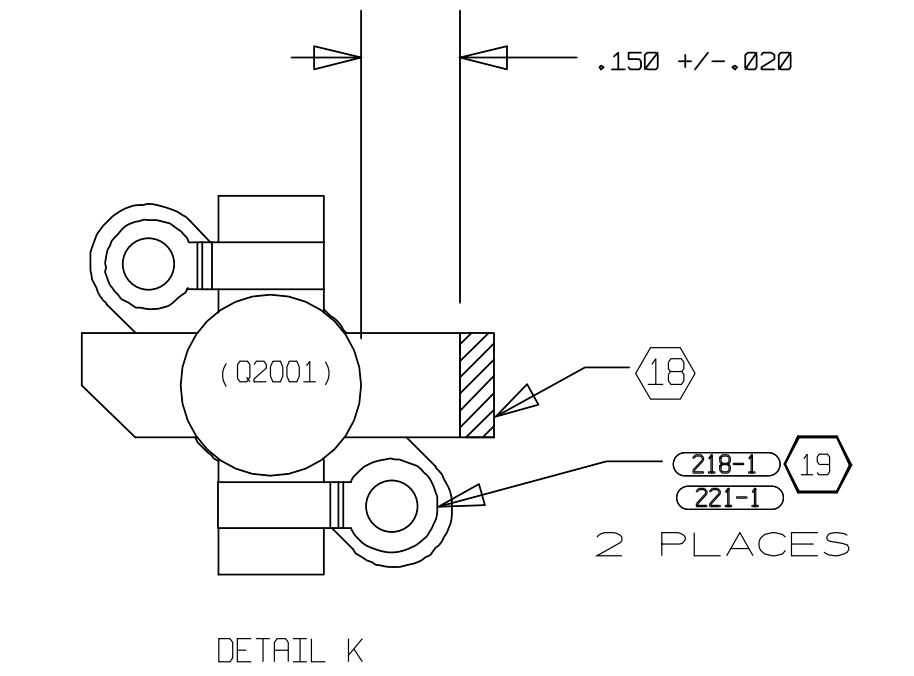
VIEW N-N



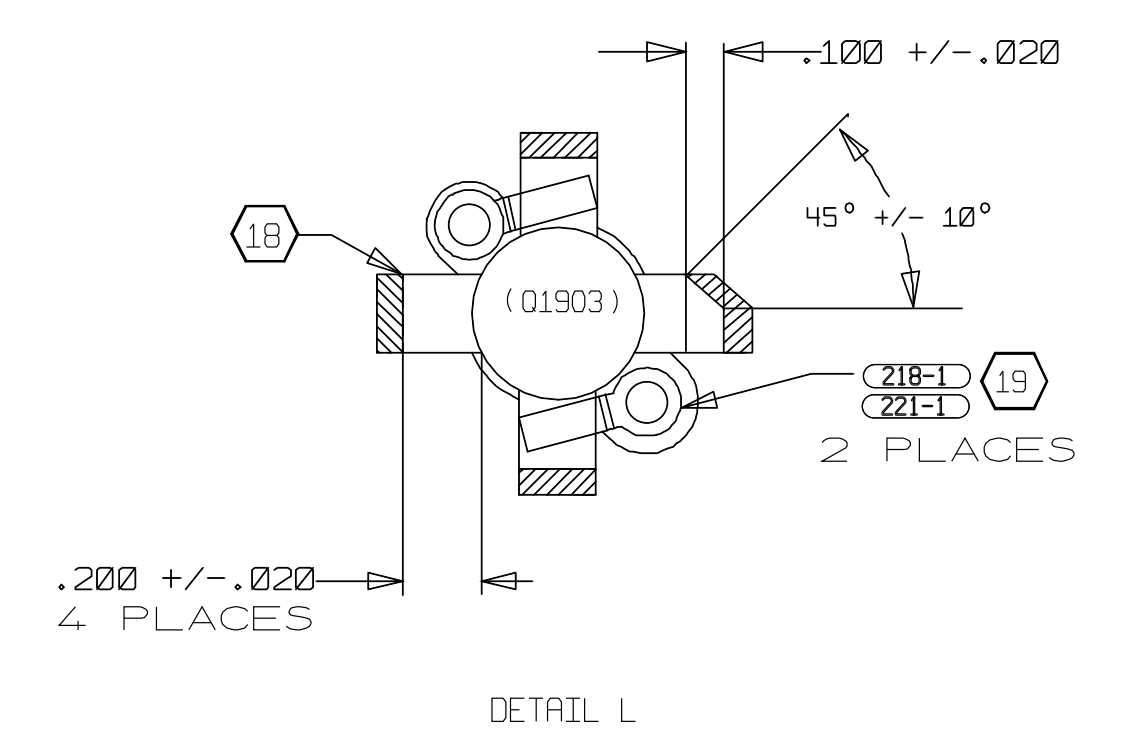
COMPONENTS TOP



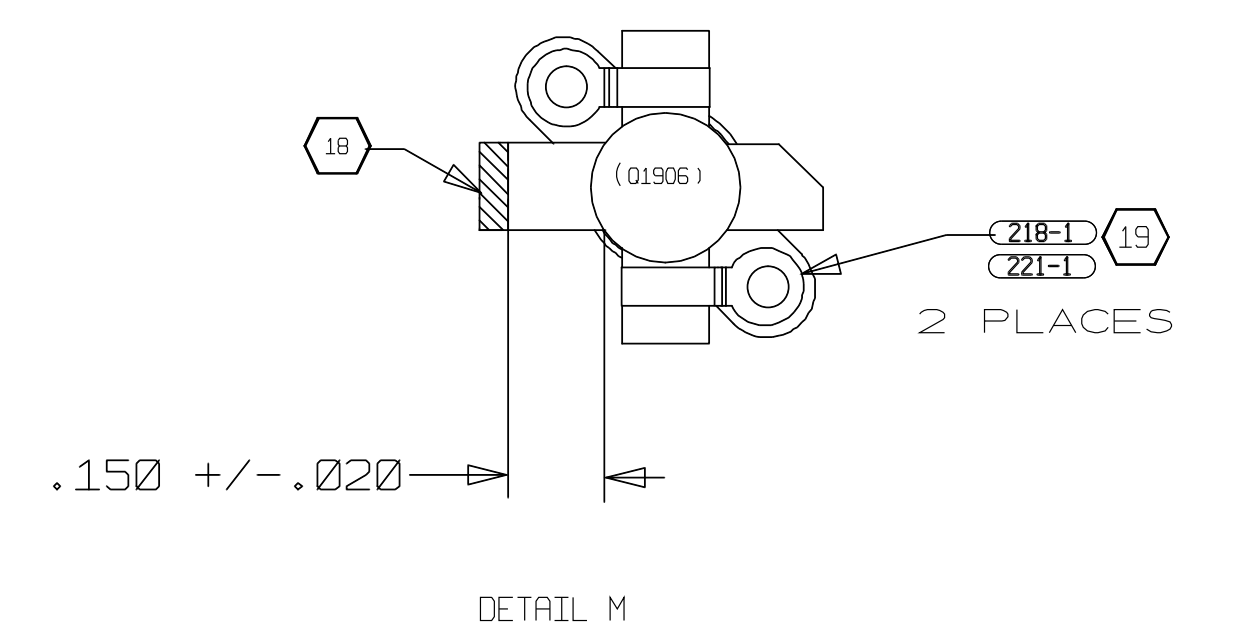
DETAIL J



DETAIL K



DETAIL L

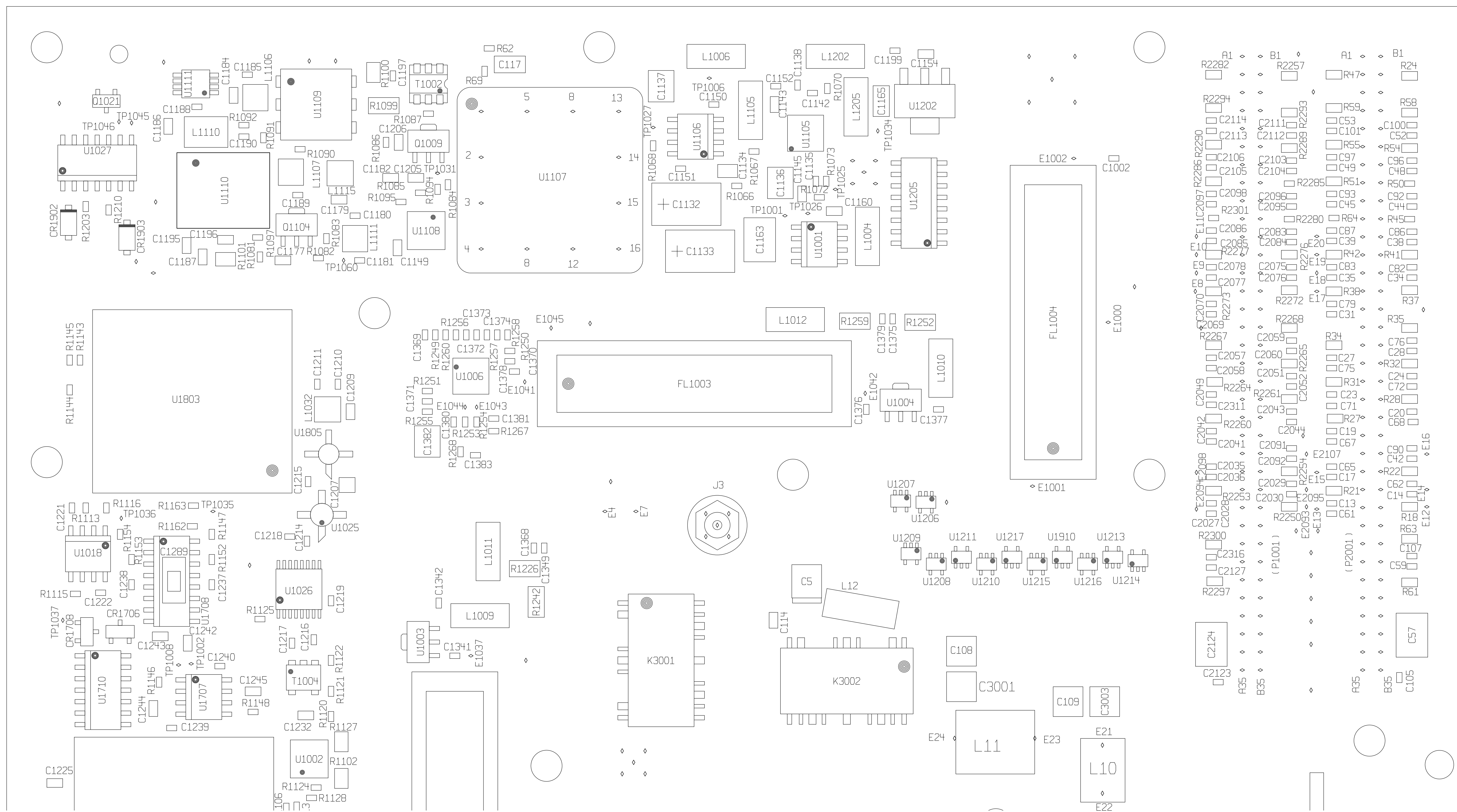


DETAIL M

ROCKWELL COLLINS, INC.--PROPRIETARY INFORMATION
 COPYRIGHT 2011 ROCKWELL COLLINS, INC. ALL RIGHTS RESERVED

SIZE D	CAGEC 4V792	DWG NO 828-3777-001	REV C
SCALE NONE			SHEET 8

2011-02-13 09:17:03 CR5000 828-3777-001 C hmcarter

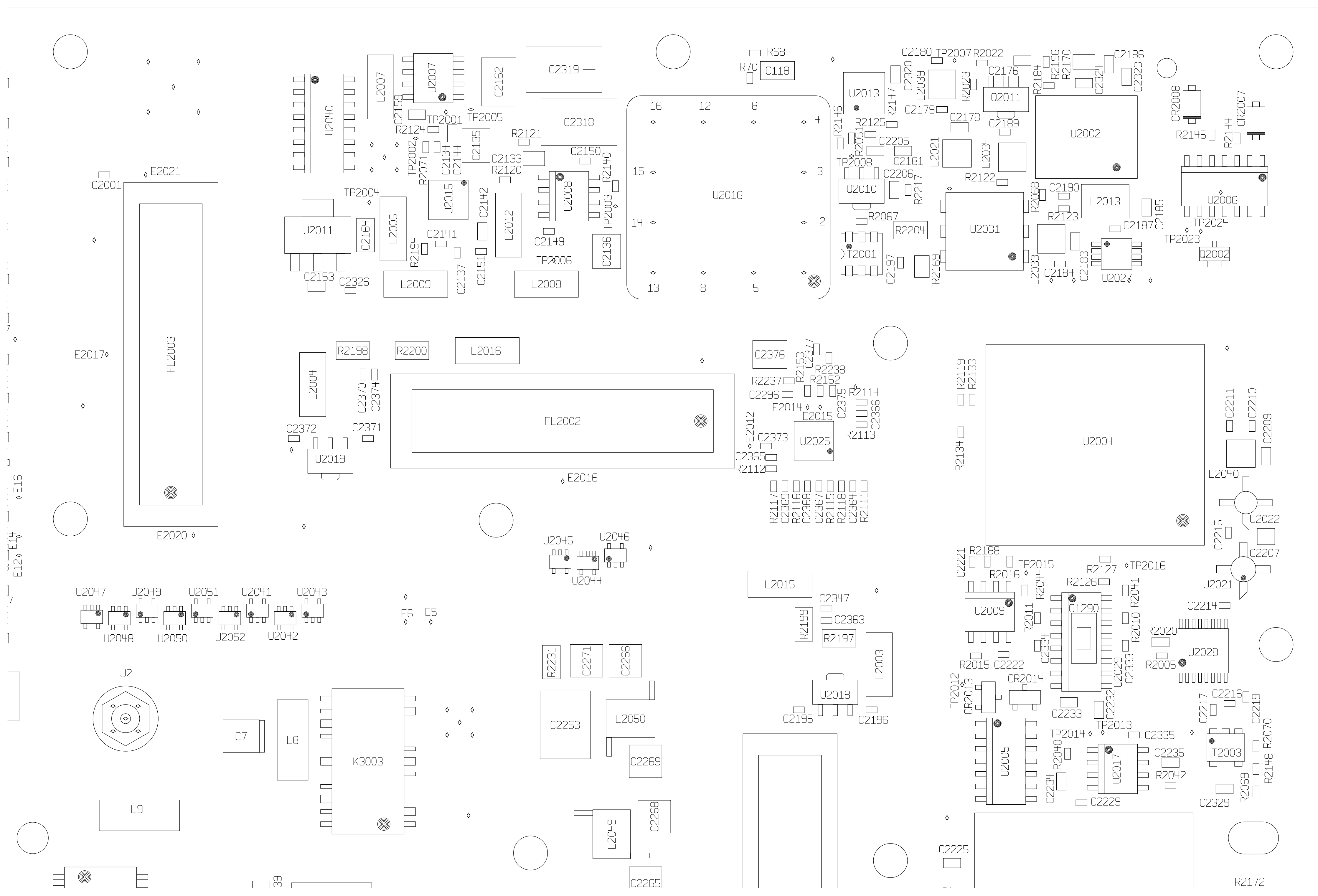


DETAIL A

ROCKWELL COLLINS, INC.--PROPRIETARY INFORMATION
 COPYRIGHT 2011 ROCKWELL COLLINS, INC. ALL RIGHTS RESERVED

SIZE D	CAGEC 4V792	DWG NO 828-3777-001	REV C
SCALE NONE			SHEET 9

2011-02-13 09:17:03 CR5000 828-3777-001 C hpcarter



DETAIL B

ROCKWELL COLLINS, INC.--PROPRIETARY INFORMATION
 COPYRIGHT 2011 ROCKWELL COLLINS, INC. ALL RIGHTS RESERVED

SIZE D	CAGEC 4V792	DWG NO 828-3777-001	REV C
SCALE NONE		SHEET 10	