

Antenna Specification

Manufacture: Shenzhen JINGSONG Technology Co., LTD

Product Name: SC162-WCD3 2.4G Antenna

Antenna Type: FPC Antenna

Test Date: 2023.08.21

Tested by: 吴锡春/Xichun Wu

Approved by: Licco

Content

1.General Description.....	1
2.Test Configurations	2
2.1 Test Environment.....	2
2.2 Test Equipment	2
2.3 Test Principle.....	2
3.Test Results	3
3.1 Gain and Efficiency.....	3
3.2 Radiation Pattern.....	4
4.Antenna Dimensions	4
5.EUT Photo.....	5
6.Test Setup Photo.....	6

1. General Description

Manufacturer	Shenzhen JINGSONG Technology Co., LTD
Address	402, Building G, Haoguanjia Enterprise Park, Xiaolong Road, Dalang Street, Longhua District, Shenzhen, China
Test Location	402, Building G, Haoguanjia Enterprise Park, Xiaolong Road, Dalang Street, Longhua District, Shenzhen, China
Product Name	SC162-WCD3 2.4G Antenna
Product model	SC162-WCD3 2.4G Antenna
Antenna Type	FPC Antenna
Test Items	Gain; Efficiency; Radiation Pattern
Test Frequency	2400-2480MHz
Test Standard	ANSI/IEEE Std 149-1979

2. Test Configurations

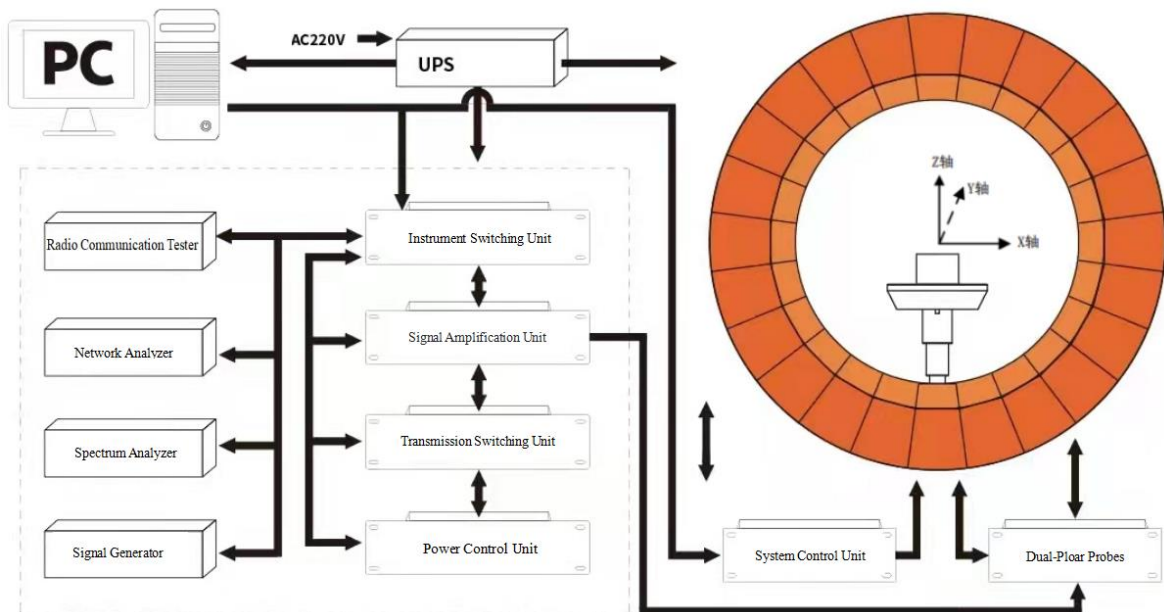
2.1 Test Environment

Temperature (°C)	25
Humidity (%RH)	60
Atmospheric Pressure (kPa)	100.5

2.2 Test Equipment

Test System	TEM 24 Multi-probe Microwave Chamber
Test Instrument	Agilent E5071B

2.3 Test Principle

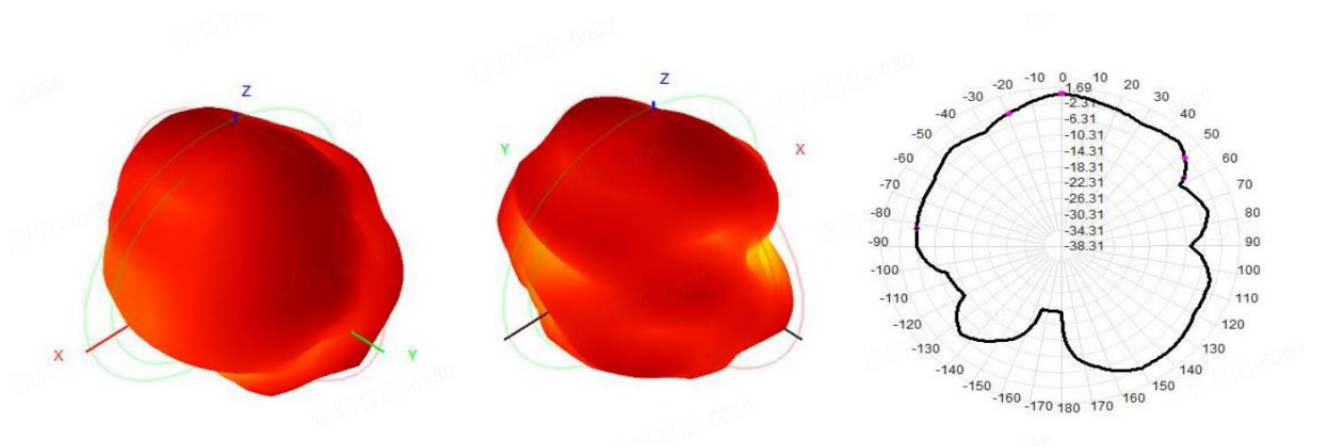


3. Test Results

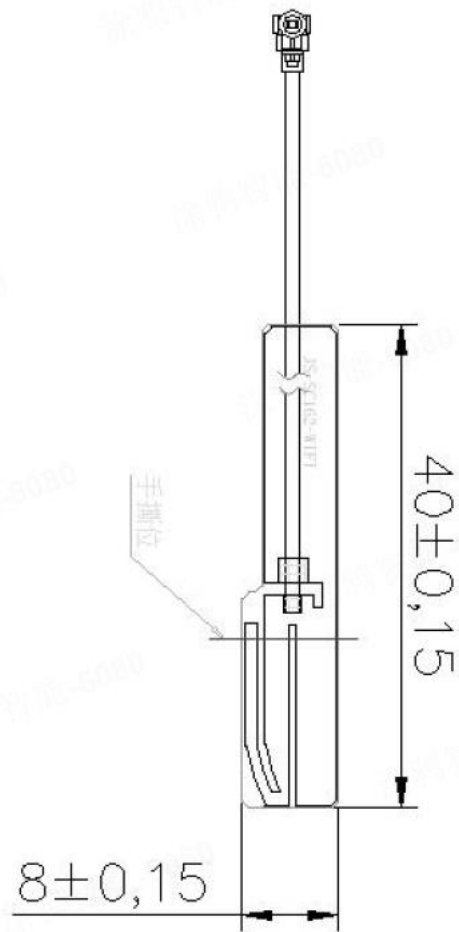
3.1 Gain and Efficiency

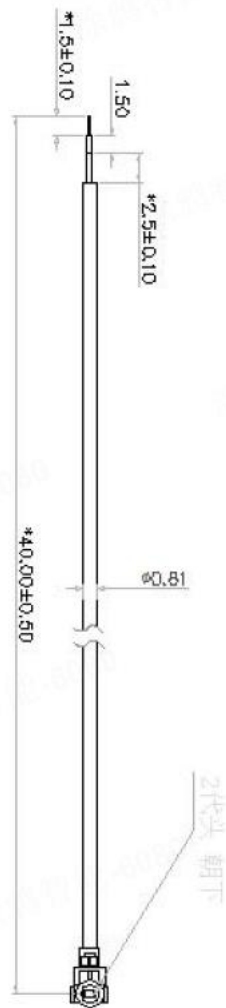
Freq(MHz)	Efficiency (%)	Gain (dBi)
2400	51.2	0.42
2410	52.3	0.22
2420	53.4	0.35
2430	55.6	0.44
2440	57.2	0.24
2450	55.2	0.34
2460	51.3	0.45
2470	53.2	0.38
2480	52.6	0.37

3.2 Radiation Pattern

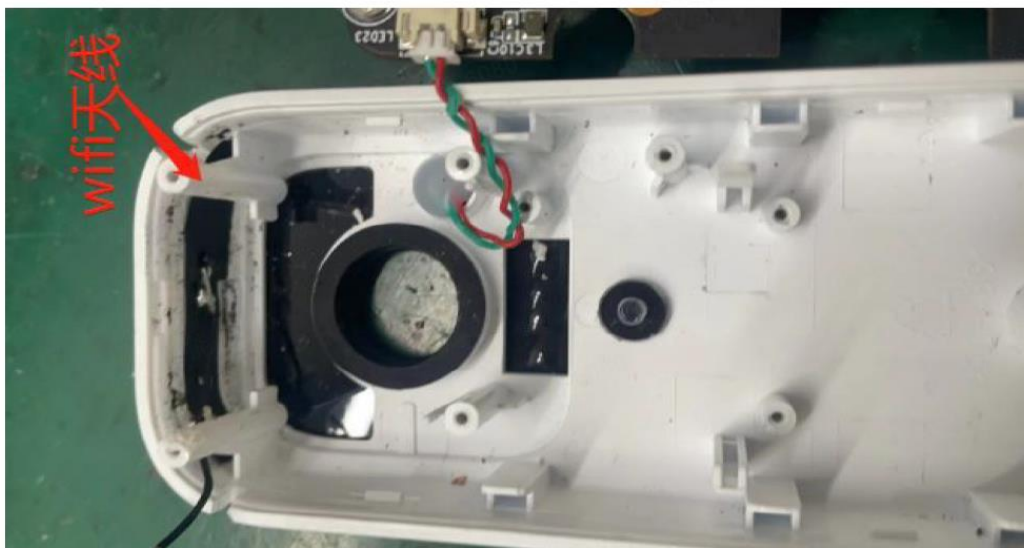


4. Antenna Dimensions





5.EUT Photo



6. Test Setup Photo

