

# Admission

## SPECIFICATION FOR APPROVAL


**CUSTOMER:** Shenzhen Youshiwei Technology Co. , Ltd.

**CUSTOMER P/N:**

**DESCRIPTION :** E6-Coil **DATE:** 2024/4/3

**SPECIFICATION :** G43.5 slotted, magnetic coil 10MM **REV.NO.:** A0

Hongri Shengwei technology admitted to sign, seal

Department	Confirm	check	approve	Company seal
Quality	DongWanHong	LuHui	WeiHanMan	
Project	HeWeiHua	WEIxiaohONG	WEIxiaohONG	

**Notes:**

Yosweite technology recognized the signature, seal

Department	Confirm	check	approve	Company seal
engineering				
purchase				
quality				

**Notes:**

Shenzhen hong ri sheng Wei technology co., ltd

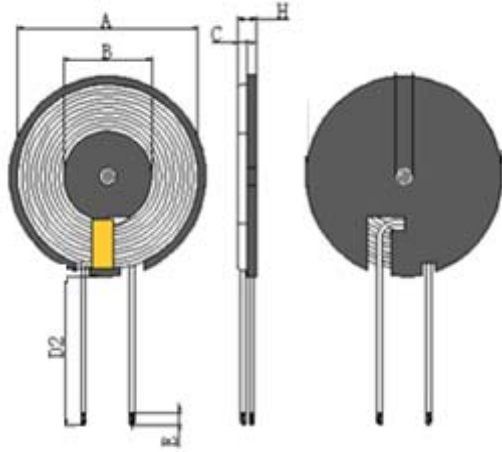
**HRSW ELECTRONICS CO.,LTD**  
**address: 2/F, Building 1, NO.48 Guanlan Huanguan Middle Road, Longhua New District, Shenzhen.**

**TEL: 15112254520 /13682412162**

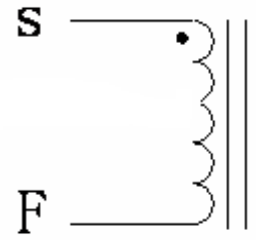
page:1/2

# SPECIFICATION FOR APPROVAL

## 1. MECHANICAL DIMENSION (UNIT:mm)



## 2. SCHEMATICS:



Notes: Add back glue

A	B	C	D2	E	H				I
43.5±0.5	20.5±0.5	0.8±0.05	10±2	4±2	1.8MAX				

## 3. WINDING:

STEP	START-FINISH	WIRE TYPE	TURNS	TAPE	REMARK
N1	S-F	Hot Air Line $\phi$ 0.08*24*2P 2UEW	10TS (Ref)		

## 4. ELECTRICAL SPECIFICATION:

ITEM	L	DCR		Hot Air Line	
TEST COND	Coil and disk	S-F			
	100kHz, 0.25V	AT 25°C		At room temperature	
SPEC	6.5uH±10%	67m $\Omega$ Max		0-85°C	

## 5. BILF OF MATERIAL :

NO.	ITEM	MATERIAL SPECIFICATION	MANUFACTURER	SGS NO.
1	Hot air line 0.08 x 24 x 2 units	Hot air line 0.08 x 24 x 2 units	NANJINGJINNINGCO,LTD	
2	Lead-free tin strip	Lead-free tin strip	QIAODO	
3	Diaphragm	43.5 * 0.8 mn-zn hard disk with L slot	TAIYI CO.,LTD	
4	Glue	Yellow GUM 9999	LIANCHENG CO.,LTD	
5	High temperature adhesive paper	8mm high temperature adhesive paper	CUDAK CO.,LTD	
6	Back Glue	$\phi$ 41.5*0.1	CUDAK CO.,LTD	

HRSW ELECTRONICS CO.,LTD		PART NO	
		TITLE	G43.5 slotted, magnetic coil 10MM
DRAWN BY	CHECKED BY		APPROVED BY
HeWEIHua	WeiXiaoHong		WeiXiaoHong