

Hisense



FIFA WORLD CUP
Qatar 2022

2022世界杯™官方赞助商



ZDRK8812CU ANT Details

Ipex pullout-HYWF-PIFA

2022.09.07

Antenna Model : HYWF-PIFA

N0	details	specification	remark
1	Frequency band	2400-2500MHz/ 5150-5850 MHz	
2	directivity	Omnidirectional antenna	
3	Input impedance	50 Ohm Nominal	
4	Return Loss	-15dB(Max)2.4-2.5G ; -15dB(Max)5.15G-5.85G	
5	VSWR	2	
6	Polarization mode	Linear Polarization	
7	Gain	1.06(Max)2.4G~2.5G ; 1.81 (Max)5.15G-5.85G	Horizontal level gain test with cable
8	Efficiency	$\geq 40\%$	
9	Wire loss	$\leq 3.15\text{dB/M}$ 2.4-2.5G ; $\leq 3.15\text{dB/M}$ 5.15G-5.85G	

WIFI0	CH	Gain/dBi
2.4G	L	1.06
	M	0.81
	H	0.8
5G	L	1.81
	M	1.76
	H	1.2

ANT Directivity Pattern

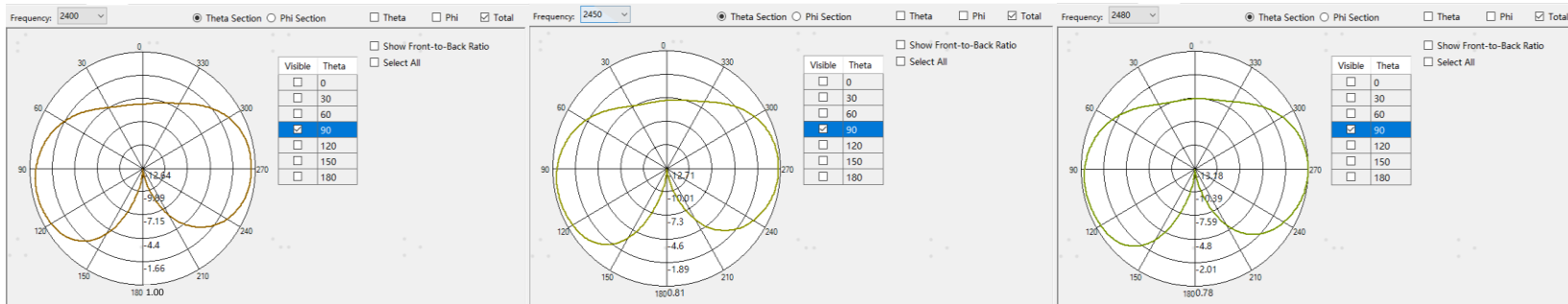
Ipex Pullout ant

2.4G : L Band

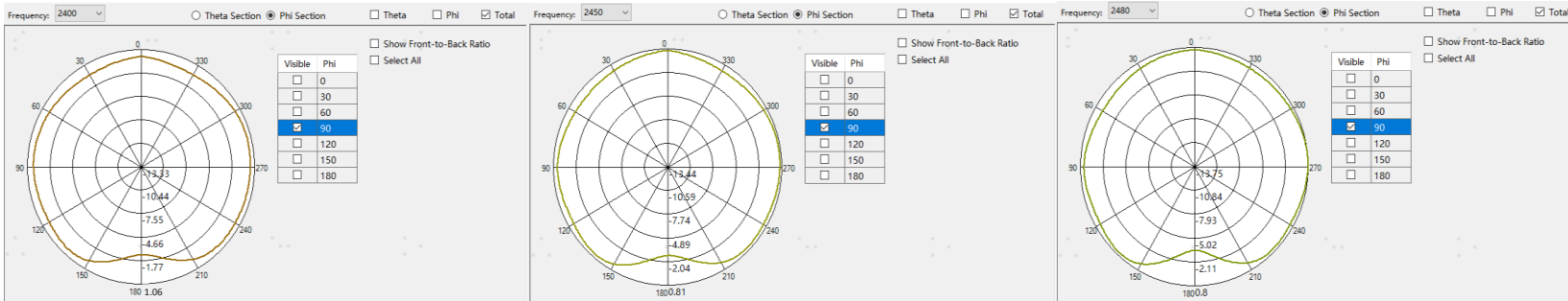
M Band

H Band

Theta Section



Phi Section



ANT Directivity Pattern

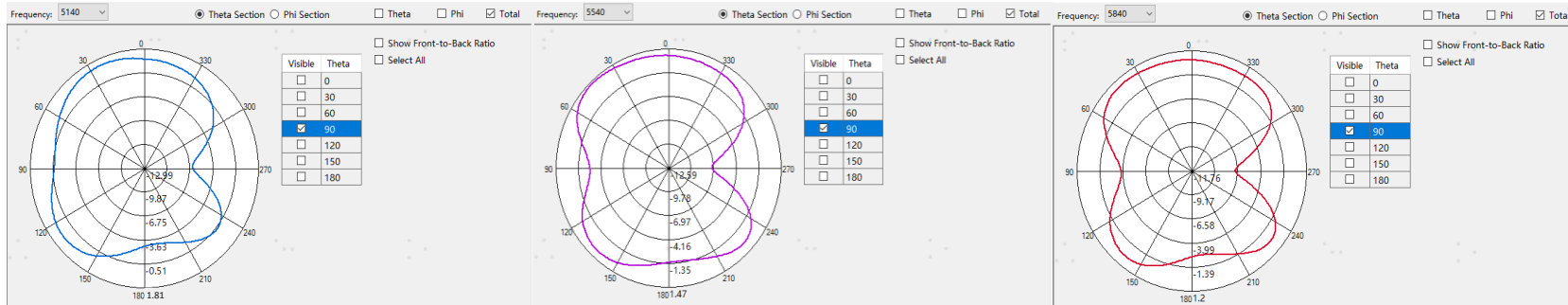
Ipex Pullout ant

5G : L Band

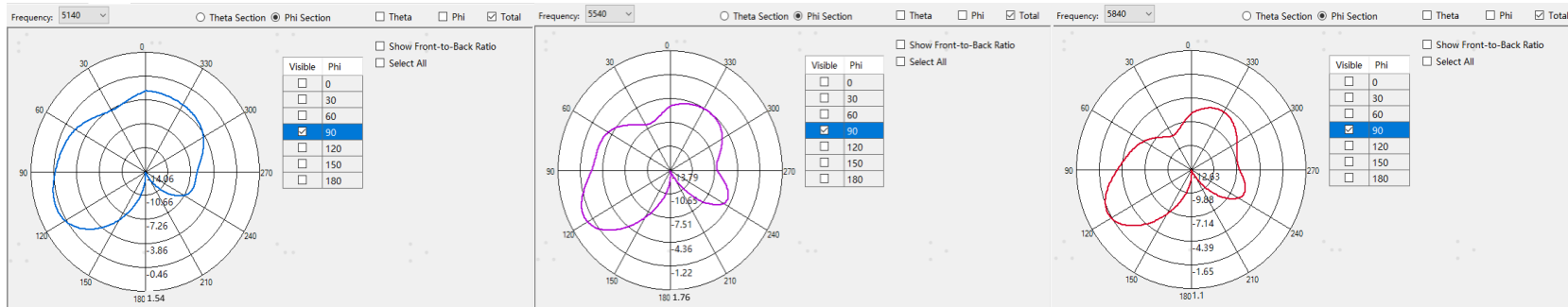
M Band

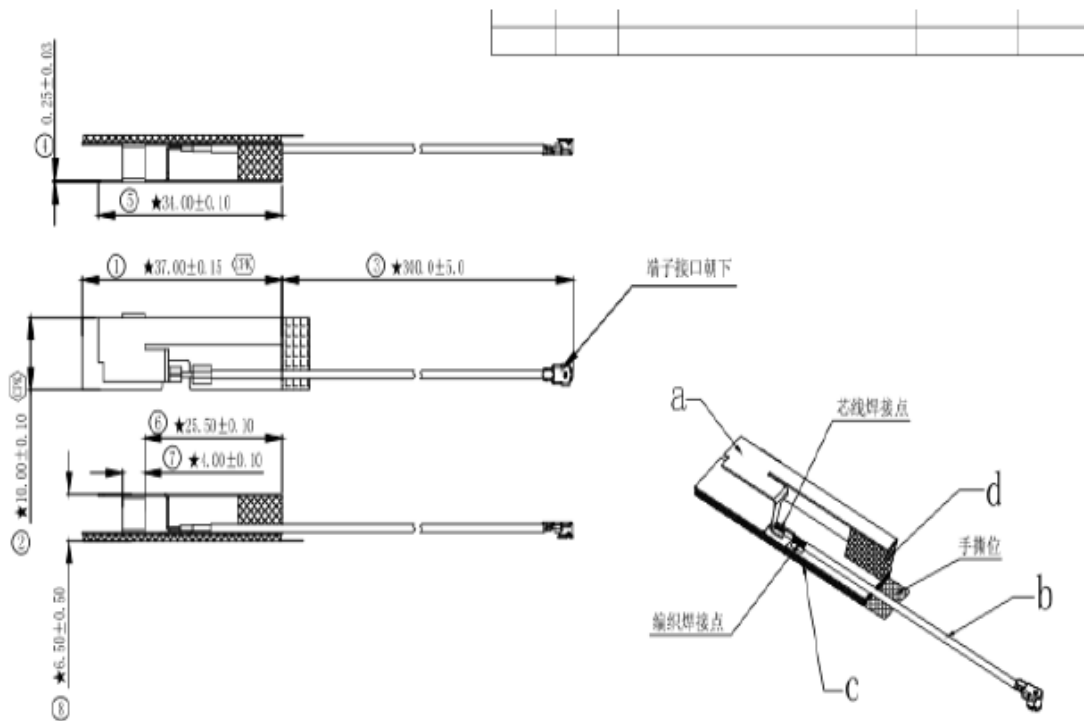
H Band

Theta Section



Phi Section





No	Size (mm)
1	37
2	10
3	300
4	0.25
5	34
6	25
7	4
8	6

Manufacturer

Hisense Communication Co.,
Ltd.

Address

Hisense Infor. Industrial Park
Economic Technology Dev.
District

Contact information

dingshizhao 13370851021



Hisense



FIFA WORLD CUP
Qatar 2022

2022世界杯™官方赞助商



THANKS